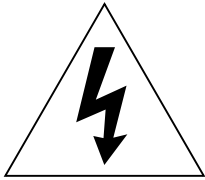

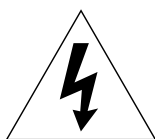


marantz®

Model SR4320 User Guide

Receiver

| | | |
|--|---|---|
|  | CAUTION RISK OF ELECTRIC SHOCK DO NOT OPEN |  |
| <p>CAUTION: TO REDUCE THE RISK OF ELECTRIC SHOCK,</p> <p>DO NOT REMOVE COVER (OR BACK)</p> <p>NO USER-SERVICEABLE PARTS INSIDE</p> <p>REFER SERVICING TO QUALIFIED SERVICE PERSONNEL</p> | | |



The lightning flash with arrowhead symbol within an equilateral triangle is intended to alert the user to the presence of uninsulated “dangerous voltage” within the product’s enclosure that may be of sufficient magnitude to constitute a risk of electric shock to persons.



The exclamation point within an equilateral triangle is intended to alert the user to the presence of important operating and maintenance (servicing) instructions in the literature accompanying the product.

WARNING

**TO REDUCE THE RISK OF FIRE OR ELECTRIC SHOCK,
DO NOT EXPOSE THIS PRODUCT TO RAIN OR MOISTURE.**

**CAUTION: TO PREVENT ELECTRIC SHOCK, MATCH WIDE
BLADE OF PLUG TO WIDE SLOT, FULLY INSERT.**

**ATTENTION: POUR ÉVITER LES CHOC ÉLECTRIQUES,
INTRODUIRE LA LAME LA PLUS LARGE DE LA FICHE DANS LA
BORNE CORRESPONDANTE DE LA PRISE ET POUSSER
JUSQU’AU FOND.**

NOTE TO CATV SYSTEM INSTALLER:

This reminder is provided to call the CATV (Cable-TV) system installer’s attention to Section 820-40 of the NEC which provides guidelines for proper grounding and, in particular, specifies that the cable ground shall be connected to the grounding system of the building, as close to the point of cable entry as practical.

NOTE:

This equipment has been tested and found to comply with the limits for a Class B digital device, pursuant to Part 15 of the FCC Rules. These limits are designed to provide reasonable protection against harmful interference in a residential installation. This equipment generates, uses and can radiate radio frequency energy and, if not installed and used in accordance with the instructions, may cause harmful interference to radio communications. However, there is no guarantee that interference will not occur in a particular installation. If this equipment does cause harmful interference to radio or television reception, which can be determined by tuning the equipment off and on, the user is encouraged to try to correct the interference by one or more of the following measures:

- Reorient or relocate the receiving antenna.
- Increase the separation between the equipment and receiver.
- Connect the equipment into an outlet on a circuit different from that to which the receiver is connected.
- Consult the dealer or an experienced radio/TV technician for help.

NOTE:

Changes or modifications not expressly approved by the party responsible for compliance could void the user’s authority to operate the equipment.

IMPORTANT SAFETY INSTRUCTIONS

READ BEFORE OPERATING EQUIPMENT

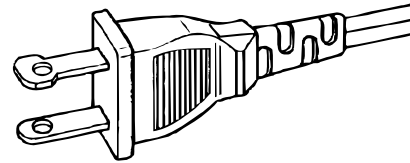
This product was designed and manufactured to meet strict quality and safety standards. There are, however, some installation and operation precautions which you should be particularly aware of.

1. Read Instructions – All the safety and operating instructions should be read before the product is operated.
2. Retain Instructions – The safety and operating instructions should be retained for future reference.
3. Heed Warnings – All warnings on the product and in the operating instructions should be adhered to.
4. Follow Instructions – All operating and use instructions should be followed.
5. Cleaning – Unplug this product from the wall outlet before cleaning. Do not use liquid cleaners or aerosol cleaners. Use a damp cloth for cleaning.
6. Attachments – Do not use attachments not recommended by the product manufacturer as they may cause hazards.
7. Water and Moisture – Do not use this product near water—for example, near a bath tub, wash bowl, kitchen sink, or laundry tub, in a wet basement, or near a swimming pool, and the like.
8. Accessories – Do not place this product on an unstable cart, stand, tripod, bracket, or table. The product may fall, causing serious injury to a child or adult, and serious damage to the product. Use only with a cart, stand, tripod, bracket, or table recommended by the manufacturer, or sold with the product. Any mounting of the product should follow the manufacturer's instructions, and should use a mounting accessory recommended by the manufacturer.
9. A product and cart combination should be moved with care. Quick stops, excessive force, and uneven surfaces may cause the product and cart combination to overturn.



10. Ventilation – Slots and openings in the cabinet are provided for ventilation and to ensure reliable operation of the product and to protect it from overheating, and these openings must not be blocked or covered. The openings should never be blocked by placing the product on a bed, sofa, rug, or other similar surface. This product should not be placed in a built-in installation such as a bookcase or rack unless proper ventilation is provided or the manufacturer's instructions have been adhered to.
11. Power Sources – This product should be operated only from the type of power source indicated on the marking label. If you are not sure of the type of power supply to your home, consult your product dealer or local power company. For products intended to operate from battery power, or other sources, refer to the operating instructions.

12. Grounding or Polarization – This product may be equipped with a polarized alternating-current line plug (a plug having one blade wider than the other). This plug will fit into the power outlet only one way. This is a safety feature. If you are unable to insert the plug fully into the outlet, try reversing the plug. If the plug should still fail to fit, contact your electrician to replace your obsolete outlet. Do not defeat the safety purpose of the polarized plug.

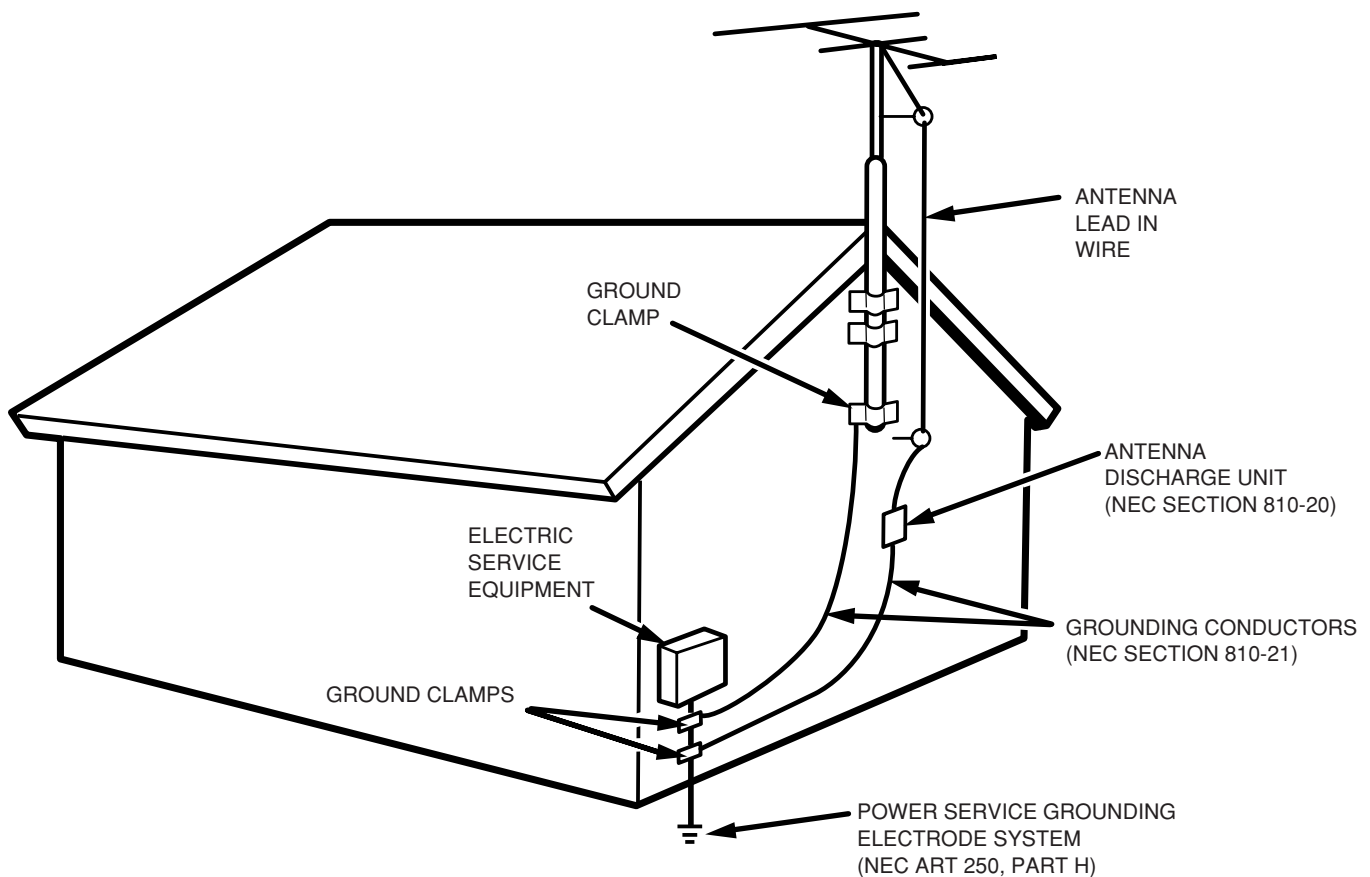


AC POLARIZED PLUG

13. Power-Cord Protection – Power-supply cords should be routed so that they are not likely to be walked on or pinched by items placed upon or against them, paying particular attention to cords at plugs, convenience receptacles, and the point where they exit from the product.
14. Protective Attachment Plug – The product is equipped with an attachment plug having overload protection. This is a safety feature. See Instruction Manual for replacement or resetting of protective device. If replacement of the plug is required, be sure the service technician has used a replacement plug specified by the manufacturer that has the same overload protection as the original plug.
15. Outdoor Antenna Grounding – If an outside antenna or cable system is connected to the product, be sure the antenna or cable system is grounded so as to provide some protection against voltage surges and built-up static charges. Article 810 of the National Electrical Code, ANSI/NFPA 70, provides information with regard to proper grounding of the mast and supporting structure, grounding of the lead-in wire to an antenna discharge unit, size of grounding conductors, location of antenna-discharge unit, connection to grounding electrodes, and requirements for the grounding electrode. See Figure 1.
16. Lightning – For added protection for this product during a lightning storm, or when it is left unattended and unused for long periods of time, unplug it from the wall outlet and disconnect the antenna or cable system. This will prevent damage to the product due to lightning and power-line surges.
17. Power Lines – An outside antenna system should not be located in the vicinity of overhead power lines or other electric light or power circuits, or where it can fall into such power lines or circuits. When installing an outside antenna system, extreme care should be taken to keep from touching such power lines or circuits as contact with them might be fatal.
18. Overloading – Do not overload wall outlets, extension cords, or integral convenience receptacles as this can result in a risk of fire or electric shock.
19. Object and Liquid Entry – Never push objects of any kind into this product through openings as they may touch dangerous voltage points or short-out parts that could result in a fire or electric shock. Never spill liquid of any kind on the product.

20. Servicing – Do not attempt to service this product yourself as opening or removing covers may expose you to dangerous voltage or other hazards. Refer all servicing to qualified service personnel.
21. Damage Requiring Service – Unplug this product from the wall outlet and refer servicing to qualified service personnel under the following conditions:
 - a. When the power-supply cord or plug is damaged.
 - b. If liquid has been spilled, or objects have fallen into the product.
 - c. If the product has been exposed to rain or water.
 - d. If the product does not operate normally by following the operating instructions. Adjust only those controls that are covered by the operating instructions as an improper adjustment of other controls may result in damage and will often require extensive work by a qualified technician to restore the product to its normal operation.
 - e. If the product has been dropped or damaged in any way, and
 - f. When the product exhibits a distinct change in performance – this indicates a need for service.
22. Replacement Parts – When replacement parts are required, be sure the service technician has used replacement parts specified by the manufacturer or have the same characteristics as the original part. Unauthorized substitutions may result in fire, electric shock, or other hazards.
23. Safety Check – Upon completion of any service or repairs to this product, ask the service technician to perform safety checks to determine that the product is in proper operating condition.
24. Wall or Ceiling Mounting – The product should be mounted to a wall or ceiling only as recommended by the manufacturer.
25. Heat – The product should be situated away from heat sources such as radiators, heat registers, stoves, or other products (including amplifiers) that produce heat.

FIGURE 1
EXAMPLE OF ANTENNA GROUNDING AS PER
NATIONAL ELECTRICAL CODE, ANSI/NFPA 70



NEC - NATIONAL ELECTRICAL CODE

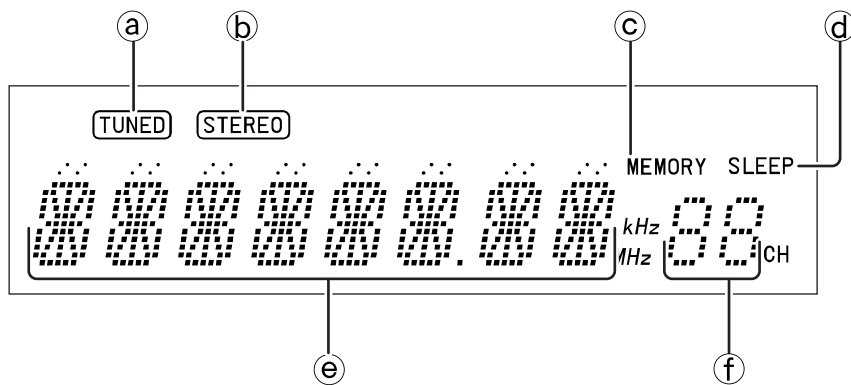
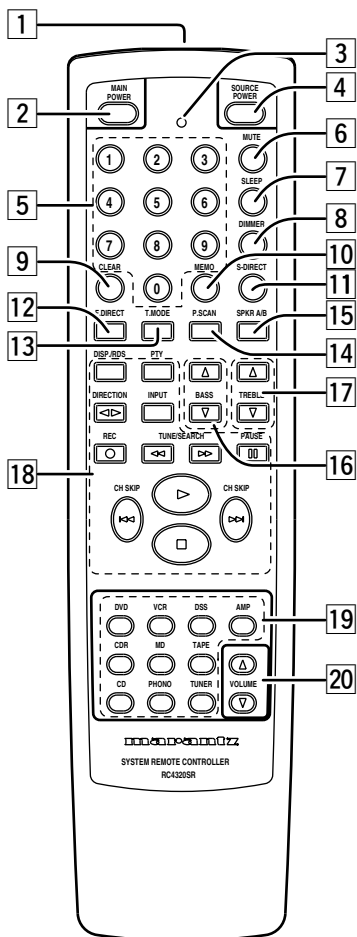
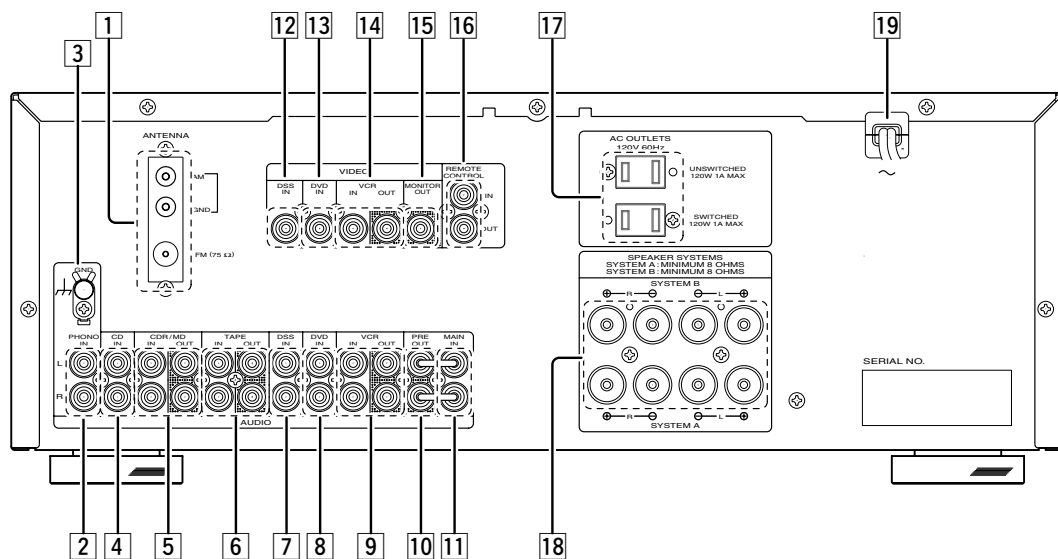
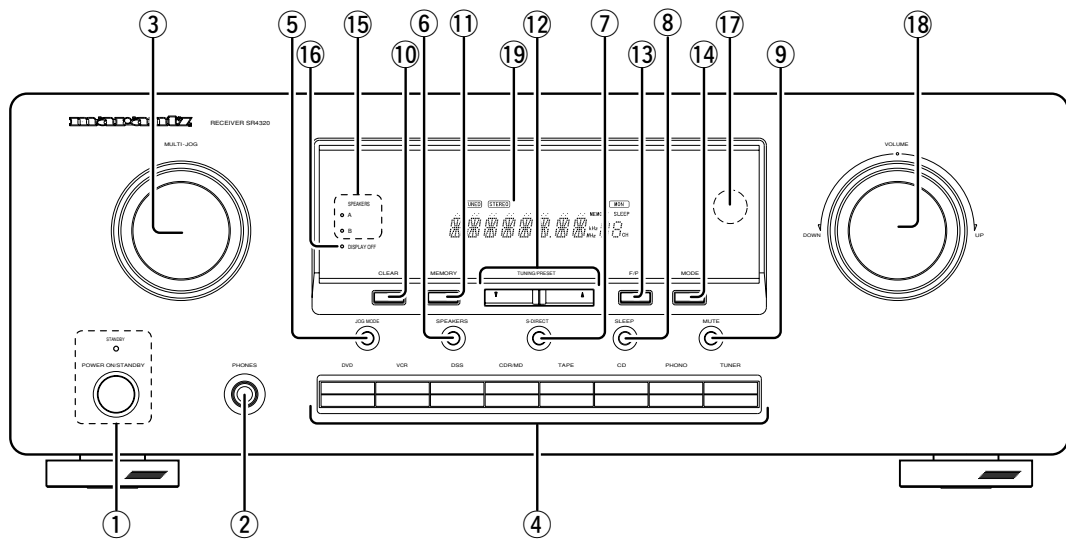


TABLE OF CONTENTS

| | |
|---|-----------|
| FEATURES | 2 |
| ACCESSORIES | 2 |
| NAMES AND FUNCTIONS | 3 |
| USING THE REMOTE CONTROL UNIT | 6 |
| CONNECTIONS | 7 |
| CONNECTING SPEAKERS | 7 |
| CONNECTING AUDIO COMPONENTS | 8 |
| CONNECTING VIDEO COMPONENTS | 9 |
| CONNECTING REMOTE CONTROL JACKS | 10 |
| CONNECTING THE ANTENNA TERMINALS | 11 |
| OPERATION | 12 |
| NORMAL PLAYBACK | 12 |
| BALANCE/TONE CONTROL | 12 |
| TURNING THE SOUND OFF TEMPORARILY (MUTING) | 12 |
| LISTENING WITH HEADPHONES | 12 |
| LISTENING TO A DIFFERENT AUDIO SOURCE WHILE WATCHING A VIDEO SOURCE | 13 |
| CHANGING THE BRIGHTNESS OF THE FRONT DISPLAY | 13 |
| SETTING THE SLEEP TIMER | 13 |
| RECORDING OPERATION | 13 |
| LISTENING TO THE RADIO | 14 |
| MANUAL TUNING | 14 |
| AUTO TUNING | 14 |
| FREQUENCY DIRECT CALL | 14 |
| PRESET TUNING | 15 |
| TROUBLESHOOTING | 17 |

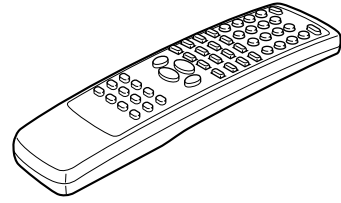
FEATURES

- **High quality full discrete power amplifier**
80W+80W (8 ohms, 20 Hz – 20 kHz, 0.08% THD)
- **Speaker A/B switching**
You can switch the speaker A/B via remote control unit.
- **Three A/V inputs (DVD, DSS and VCR)**
- **One A/V output (VCR) and one video monitor output**
- **Seven audio inputs and three audio outputs**
Built in PHONO equalizer (MM)
- **Simulcast playback video signal of video source with audio source**
- **30 station AM/FM random preset memory**
- **Bass and treble tone controls**
- **Source direct**
You can bypass the tone and balance controls, routing the audio signal directly to provide the pure sound quality.
- **PRE OUT and MAIN IN jacks**
- **Sleep timer**
- **Banana plug compatible speaker terminals**
- **Dimmer control via remote control unit**

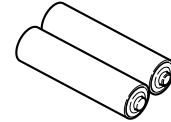
ACCESSORIES

Check the supplied accessories.

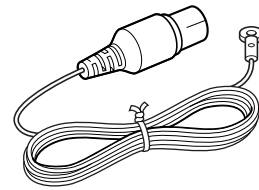
Remote control unit (RC4320SR)



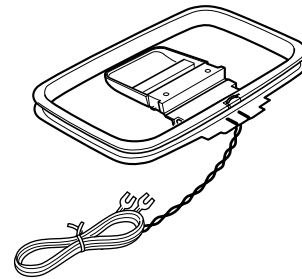
Batteries (AAA, R03, UM-4) 2 pcs



FM Antenna



AM Loop Antenna



Warranty Card

NAMES AND FUNCTIONS

■ FRONT PANEL

① POWER ON/STANDBY switch and STANDBY indicator

When this switch is pressed once, the unit turns ON and display appear on the display panel.

When pressed again, the unit enters the standby mode and the STANDBY indicator lights.

To turn the power ON from standby mode, press any of the function buttons of the main unit or the MAIN POWER button of the remote control unit.

When the STANDBY indicator lights up, the apparatus is NOT disconnected from the AC supply mains.

② PHONES jack for stereo headphones

Conventional dynamic headphones can be plugged in here.

Note:

When using headphones, the speaker A and/or B are switched automatically to OFF and the sound from the speakers is muted.

The speaker A and/or B return to the previous setting as soon as the plug is removed from the jack.

③ MULTI-JOG control knob

Turn the control (BALANCE, TREBLE or BASS) knob selected by the JOG MODE button to adjust (the balance, treble or bass).

④ Function selector buttons

These buttons are used to select the sources. The selected source name will be displayed on the front display.

The video function selector, such as DVD, VCR and DSS, selects video and audio simultaneously.

Audio function sources such as CDR/MD, TAPE, CD, PHONO and TUNER may be selected in conjunction with a Video source.

This feature (Sound Injection) combines a sound from one source with a picture from another.

Choose the video source first, and then choose a different audio source to activate this function.

⑤ JOG MODE button

Press this button to adjust BALANCE and TONE CONTROL (BASS/TREBLE). Each time this button is pressed, the mode changes as BAL (BALANCE) → TRE (TREBLE) → BASS → BAL (BALANCE). If this button is pressed in Source Direct Mode, Source Direct is cancelled.

⑥ SPEAKERS (system A or B) button

Press this button to select speaker system(s) to use. Each time this button is pressed, the selected speaker(s) is changed as, only A is on → only B is on → both A and B are on → both A and B are off. The corresponding indicator(s) of the active speaker system(s) light up.

If headphones are connected, both A and B are set off automatically.

⑦ S (Source)-DIRECT button

When this button is pressed, the audio signal will bypass the balance and tone control circuit to provide the pure sound quality.

To return not to bypass the balance and tone control circuit, press S-DIRECT button again or press JOG MODE button.

⑧ SLEEP (Sleep timer) button

This button is used for setting the sleep timer.

⑨ MUTE button

Press this button to mute the output to the speakers. Press it again to return to the previous volume level.

⑩ CLEAR button

Press this button to clear the tuner preset station.

⑪ MEMORY button

Press this button to enter the tuner preset memory numbers and station names.

⑫ TUNING/PRESET up (▲) and down (▼) buttons

During reception of AM or FM, you can scan the other frequencies or select another preset station pressing these buttons.

⑬ F (Frequency)/P (Preset) button

During reception of AM or FM, you can change the function of the UP/DOWN buttons for scanning frequencies or selecting preset stations by pressing this button.

⑭ MODE button

Press this button to select AUTO mode or MONO mode when the FM band is selected.

⑮ SPEAKERS indicator

These indicators show active speaker system(s).

⑯ DISPLAY OFF indicator

Lights up when you select "Display off".

⑰ Infrared sensor

This sensor receives infrared signals from the remote control unit.

⑱ VOLUME control knob

Adjusts the overall sound level. Turning the control clockwise increases the sound level.

⑲ Display

■ DISPLAY

Ⓐ TUNED indicator

This indicator illuminates when a station is being received with sufficient signal strength to provide acceptable listening quality.

Ⓑ STEREO indicator

This indicator illuminates when an FM station is being tuned in stereo condition.

Ⓒ MEMORY indicator

When the MEMORY button is pressed, this indicator blinks for about 5 seconds.

Ⓓ SLEEP indicator

This indicator lights up while the sleep timer function is in use.

Ⓔ Frequency/Character display

This displays the selected station frequency or the corresponding words when selecting a program source.

Ⓕ Preset number display

Shows the selected preset number.

■ REAR PANEL

All connections to the rear panel should be made with entire power off to the system. To avoid miss-connection, it is advisable to connect one cable at a time between the different components. This is the safest way to avoid cross-connecting channels or mix up signal inputs with outputs.

1 Antenna terminals

FM antenna terminal

For connecting the supplied FM antenna or for connecting an external FM antenna with a coaxial cable, or for connecting a cable network.

AM antenna and ground terminal

For connecting the supplied AM loop antenna. Use the terminals marked "AM" and "GND".

The supplied AM loop antenna will provide good AM reception in most areas. Position the loop antenna to the best reception.

2 PHONO audio input jacks

Connect the audio output jacks of an analog turntable to these jacks.

3 GND (ground) terminal

Connect the grounding wire from the analog turntable to this terminal.

4 CD audio input jacks

Connect to the CD's audio output jacks.

5 CDR/MD audio input/output jacks

Connect the audio output (PLAY) jack of the CD recorder/MD deck to the IN jack, and connect the audio input (REC.) jack to the OUT jack.

6 TAPE audio input/output jacks

Connect the audio output (PLAY) jack of the cassette deck to the IN jack, and connect the audio input (REC.) jack to the OUT jack.

7 DSS audio input jacks

Connect to the satellite tuner's audio output jacks.

8 DVD audio input jacks

Connect to the DVD's audio output jacks.

9 VCR audio input/output jacks

Connect the audio output (PLAY) jack of the VCR to the IN jack, and connect the audio input (REC.) jack to the OUT jack.

10 PRE OUT jacks

Use these jacks to connect an extension power amplifier or graphic equalizer.

When a graphic equalizer is to be connected, connect its input jacks with the PRE OUT jacks on this unit.

When not used, leave these jacks connected with the supplied connecting pins.

11 MAIN IN jacks

Use these jacks to connect an extension pre amplifier or graphic equalizer.

When a graphic equalizer is to be connected, connect its output jacks with the MAIN IN jacks on this unit.

When not used, leave these jacks connected with the supplied connecting pins.

12 DSS video input jack

Connect to the satellite tuner's video output jack.

13 DVD video input jack

Connect to the DVD's video output jack.

14 VCR video input/output jacks

Connect the video output (PLAY) jack of the VCR to the IN jack, and connect the video input (REC.) jack to the OUT jack.

15 MONITOR output jack

Connect to the TV's video input (VIDEO IN) jack.

16 REMOTE CONTROL IN/OUT jacks

Connect to other Marantz component equipped with REMOTE CONTROL jacks.

17 AC OUTLETS

Connect the AC power cable of a CD player, cassette deck, etc., of your system to these outlets.

The power supply from switched outlet is interlocked with the POWER switch of the receiver.

The maximum power consumption of the connected components must not exceed the following limit:

SWITCHED 120 WATT MAX.

UNSWITCHED 120 WATT MAX.

18 Speaker terminals

Connect your speaker system(s) to these terminals. There are two sets of terminals, so you can connect either A and/or B speaker systems.

19 AC power cord

Plug into AC120V household outlet.

■ REMOTE CONTROL UNIT

The supplied remote control unit can be used to control a Marantz audio/visual component such as a DVD player, CD player.

The POWER button, numeric buttons and control buttons are used in common across different input source components.

The input source controlled with the remote control unit changes when one of the input selector buttons on the remote control unit is pressed.

• Example**To select the DVD as the input source and play the DVD player.**

Press the DVD button twice within 2 seconds. The input selector of the SR4320 is switched to DVD and the remote control unit is set for control of the DVD player.

Press the PLAY button on the remote control unit.

1 Infrared window

Outputs infrared control signals.

2 MAIN POWER button

Press to switch the power of the SR4320 ON or STANDBY.

3 Transmitting indicator

Lights up during a button is pressed and an infrared signal is being sent.

4 SOURCE POWER button

Press to switch the power of the source component after pressing the function selector button.

5 Numeric buttons 0 to 9

These buttons are used to enter figures in the selection of a tuner preset station or to select a CD track number, etc.

6 MUTE button

Press this button decrease the sound temporarily.

Press this button again to return to the previous sound level.

7 SLEEP button

This button is used for setting the sleep timer.

8 DIMMER button

When this button is pressed once, the display is dimmed. When this button is pressed twice, the display is turned off and the "DISPLAY OFF" indicator lights up.

Press this button again to turn on the display again.

9 CLEAR button

This button is used to cancel for certain memory or programming operations.

10 MEMO (Memory) button

Memory enables button for various preset functions.

11 S (Source)-DIRECT button

When this button is pressed, the audio signal will bypass the balance and tone control circuit to provide the pure sound quality.

**12 F.DIRECT button
(when tuner mode is selected)**

Press this button to change tuner mode to Frequency Direct Call mode. You can call your desired frequency with numeric button of the remote control unit in this mode.

**13 T.MODE button
(when tuner mode is selected)**

Press this button to select the AUTO mode or MONO mode when the FM band is selected.

14 P.SCAN button (when tuner mode is selected)

This button is used to start preset scan when tuner mode is selected in SR4320.

15 SPKR A/B button

Press the button to select the speaker system (or systems) which is to be used. Each time it is pressed, the setting is selected in the following sequence in turn: A only ON → B only ON → A and B ON → A and B OFF → A only ON, and so on. The speaker indicator (or indicators) corresponding to the speaker (or speakers) which has been set to the active status lights.

When headphones have been connected, speakers A and B are automatically set to OFF.

16 BASS up (▲)/down (▼) buttons

These buttons are used to adjust the tone control of low frequency sound.

17 TREBLE up (▲)/down (▼) buttons

These buttons are used to adjust the tone control of high frequency sound.

18 Control buttons

These buttons are used when operating the CD player, TAPE deck, etc. The function of these buttons are dependent on the function button selected.

For the controllable functions of each input function, please refer to following table.

| | DVD | VCR | CDR | MD | TAPE | CD | TUNER |
|----------------|---------------------------------|--------|----------------------|--------|-----------|-------------------|---------------|
| DISP/RDS | Display disc info. | --- | Switch Display info. | --- | --- | Scroll disc info. | RDS*5 |
| PTY | --- | --- | --- | --- | --- | --- | PTY*5 |
| DIRECTION ◀▶ | --- | --- | --- | --- | Direction | --- | --- |
| INPUT | Select the input of the monitor | | | | | | |
| REC ● | --- | Record | Record | Record | Record | --- | --- |
| TUNE/SEARCH ◀◀ | FR*1 | FR*1 | FR*1 | FR*1 | FR*1 | FR*1 | Back search |
| TUNE/SEARCH ▶▶ | FF*2 | FF*2 | FF*2 | FF*2 | FF*2 | FF*2 | Search |
| PAUSE | Pause | Pause | Pause | Pause | Pause | Pause | --- |
| ▶ | Play | Play | Play | Play | Play | Play | --- |
| CH SKIP ▶▶▶ | Next | Next | Next | Next | Next | Next | P.Memo Up*3 |
| CH SKIP ◀◀◀ | Prev. | Prev. | Prev. | Prev. | Prev. | Prev. | P.Memo Down*4 |
| ■ | Stop | Stop | Stop | Stop | Stop | Stop | --- |

*1 FR: Fast rewind

*2 FF: Fast forward

*3 P.Memo Up: Scan the preset station memory Up

*4 P.Memo Down: Scan the preset station memory Down

*5 These functions cannot be used for SR4320.

19 Input selector buttons/Function selector buttons (audio/video input)

Press one of these buttons once or twice to select a particular source component. For example, to set the receiver to the DVD input, press the DVD button twice within 2 seconds.

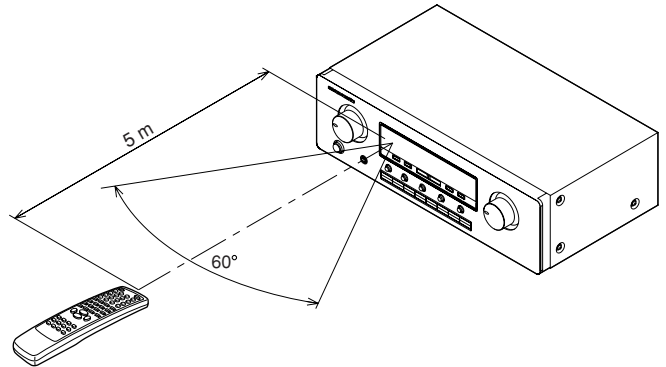
20 VOLUME up (▲)/down (▼) buttons

Press to adjust the volume control of SR4320.

USING THE REMOTE CONTROL UNIT

Remote control operational range

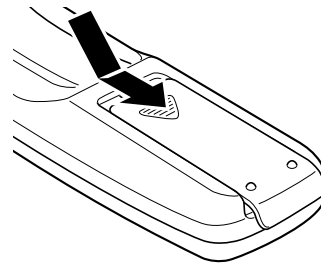
The distance between the transmitter of the remote control unit and the IR SENSOR of the SR4320 should be less than about 5 meters. If the transmitter is pointed to a direction other than the IR SENSOR or if there is an obstacle between them, remote control may not be possible.



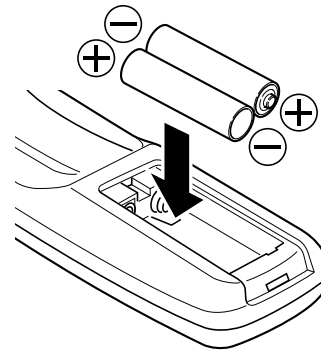
Preparing the remote control unit

The life of the batteries used with the remote control unit is about 4 months with normal use. Also be sure to replace batteries earlier when you notice that they are getting weak.

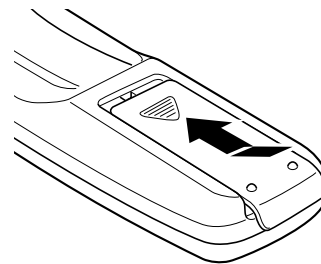
- 1 Remove the back cover.



- 2 Insert the new batteries (AAA type) with correct (+) and (-) polarity.

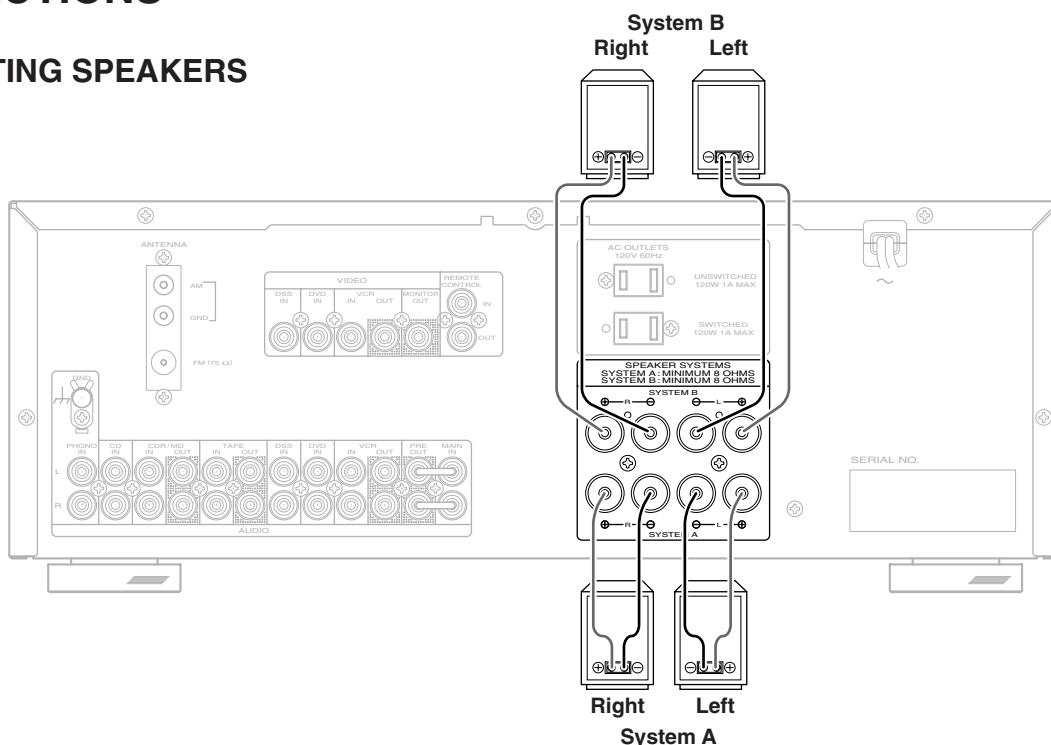


- 3 Close until it clicks shut.



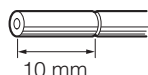
CONNECTIONS

CONNECTING SPEAKERS

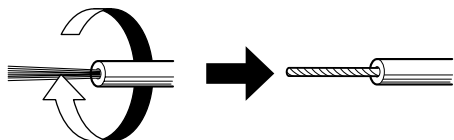


Connecting speaker wire

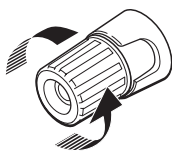
- 1 Strip away approx. 3/8 inch (10 mm) of wire insulation.



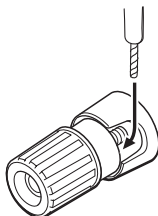
- 2 Twist the exposed wire ends very tight to prevent short circuits.



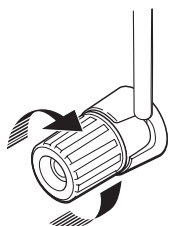
- 3 Loosen the knob by turning counterclockwise.



- 4 Insert one bare wire into the hole in the side of each terminal.

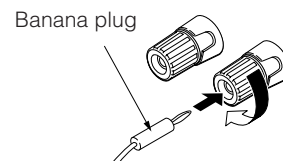


- 5 Tighten the knob by turning clockwise to secure the wire.



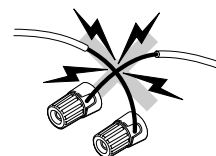
Connecting banana plug

Banana plug connections are also possible. Tighten the knob by turning clockwise and then insert the banana plug.



CAUTION

- Be sure to use speakers with the specified impedance shown on the rear panel of this unit.
- To prevent damage to circuitry, do not let the bare speaker wires touch each other and do not let them touch any metal part of this unit.
- Do not touch the speaker terminals when the power is on. It may cause electric shocks.
- Do not connect more than one speaker cable to one speaker terminal. Doing so may damage this unit.

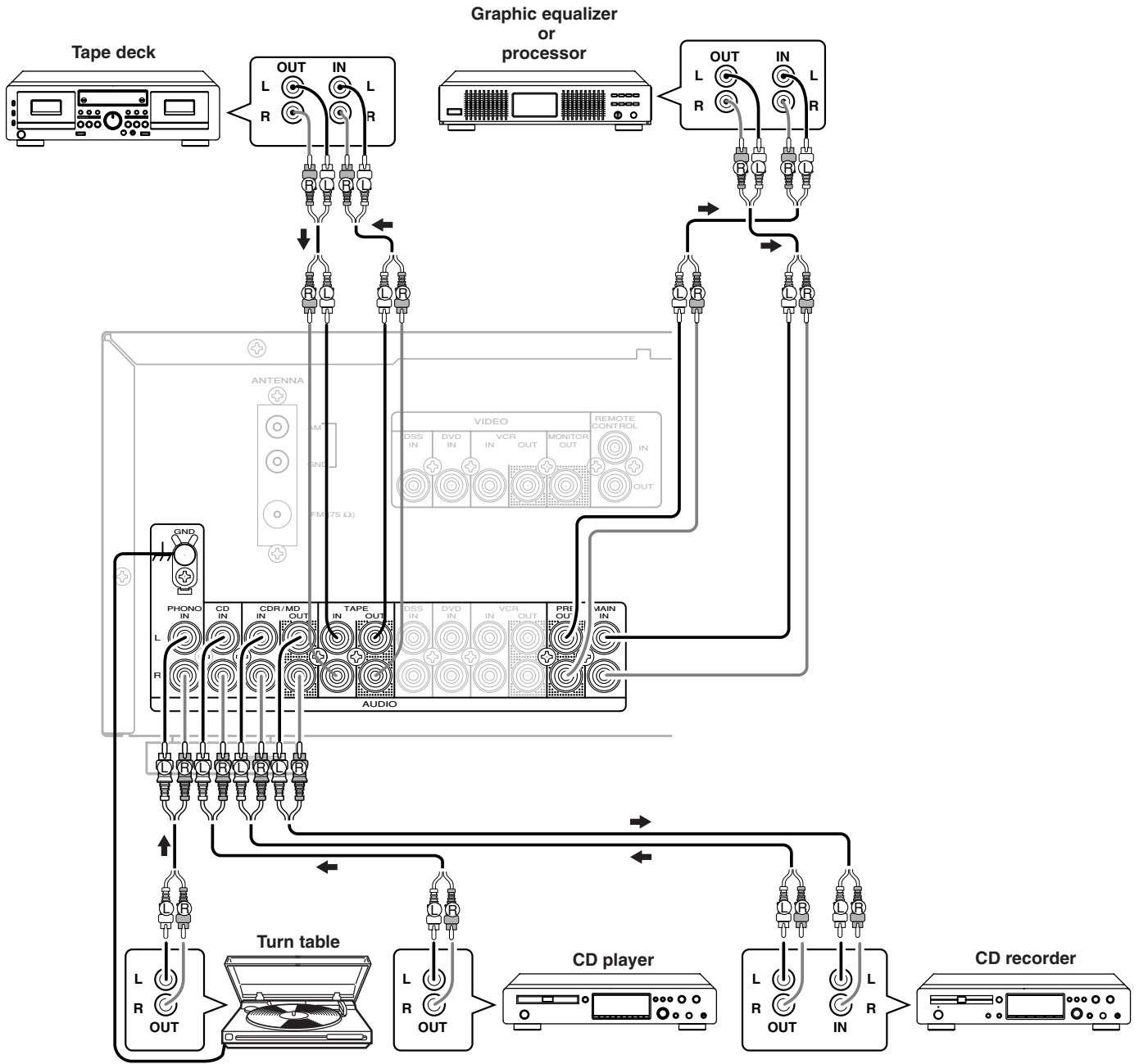


Note:

Be sure to connect the positive and negative cables for the speaker properly. If they are miss-connected, signal phase will be reversed and the sound quality will be corrupted.

CONNECTING AUDIO COMPONENTS

The output audio signal from the TAPE OUT jack and the CD-R/MD OUT jack is the sound source currently selected.



CAUTION

Do not connect this unit and other components to mains power until all connections between components have been completed.

Notes:

- Insert all plugs and connectors securely. Incomplete connections will result in the generation of noise.
- Be sure to connect the left and right channels properly. Red connectors are used for the R (right) channel, and white connectors are used for L (left) channel.
- Be sure to connect input and output properly.
- Refer to the instructions for each component to be connected to this unit.
- Do not bind audio/video connection cables with power cords and speaker cables. It will result in generating hum or other noise.
- Remove the short pin when using the PRE OUT, MAIN IN terminals.

Connecting PRE OUT/MAIN IN jacks

Connecting with external power amplifier

This receiver has enough power for normal listening but PRE OUT jacks are prepared to connect external power amplifiers for higher power output. In such a case, connect these jacks to the MAIN IN jacks or AUX IN jacks of the power amplifier.

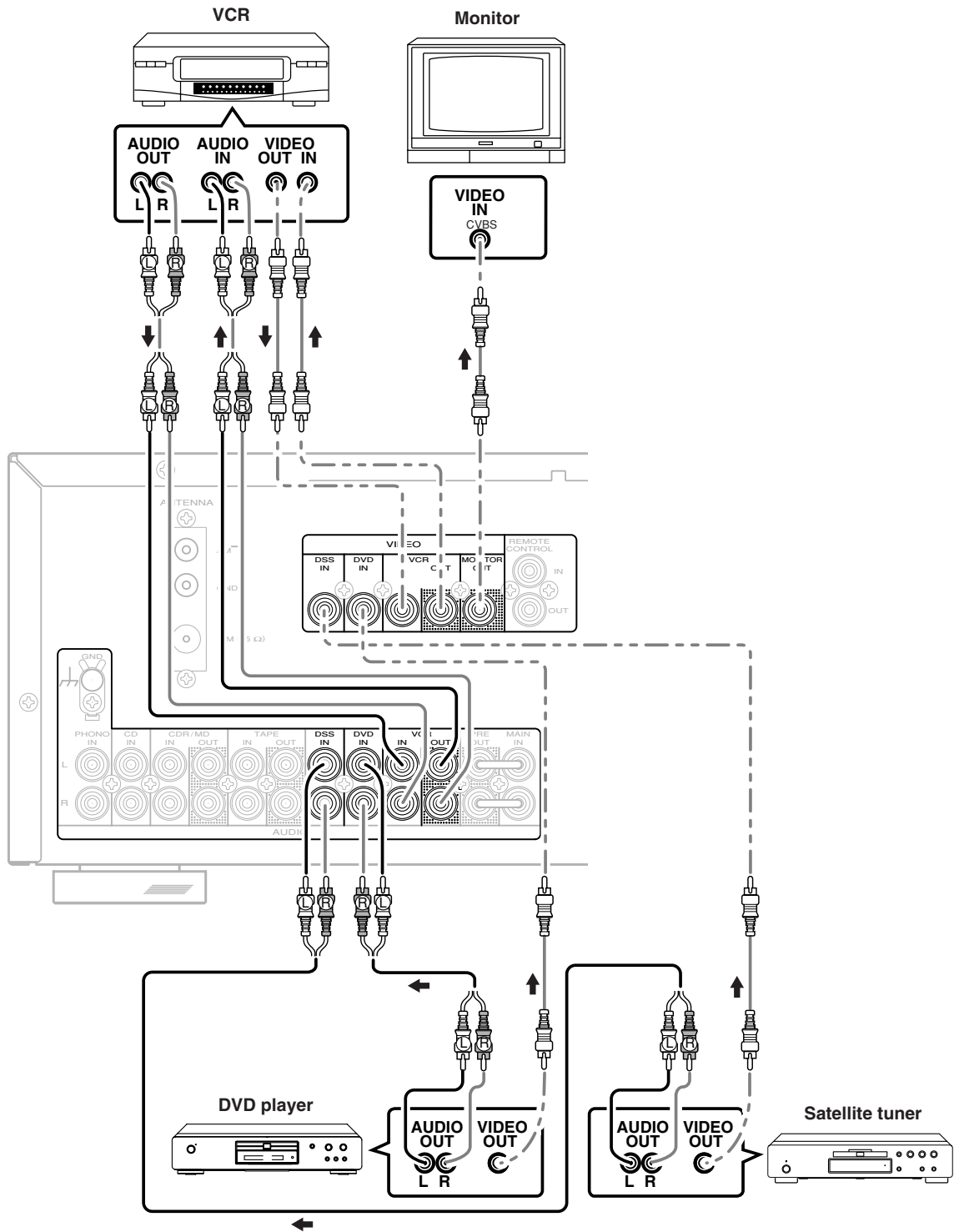
Connecting with graphic equalizer

Use PRE OUT and MAIN IN jacks to connect a graphic equalizer or other analog audio processor.

Note:

When not used, leave these jacks connected with the supplied connecting pins.

CONNECTING VIDEO COMPONENTS

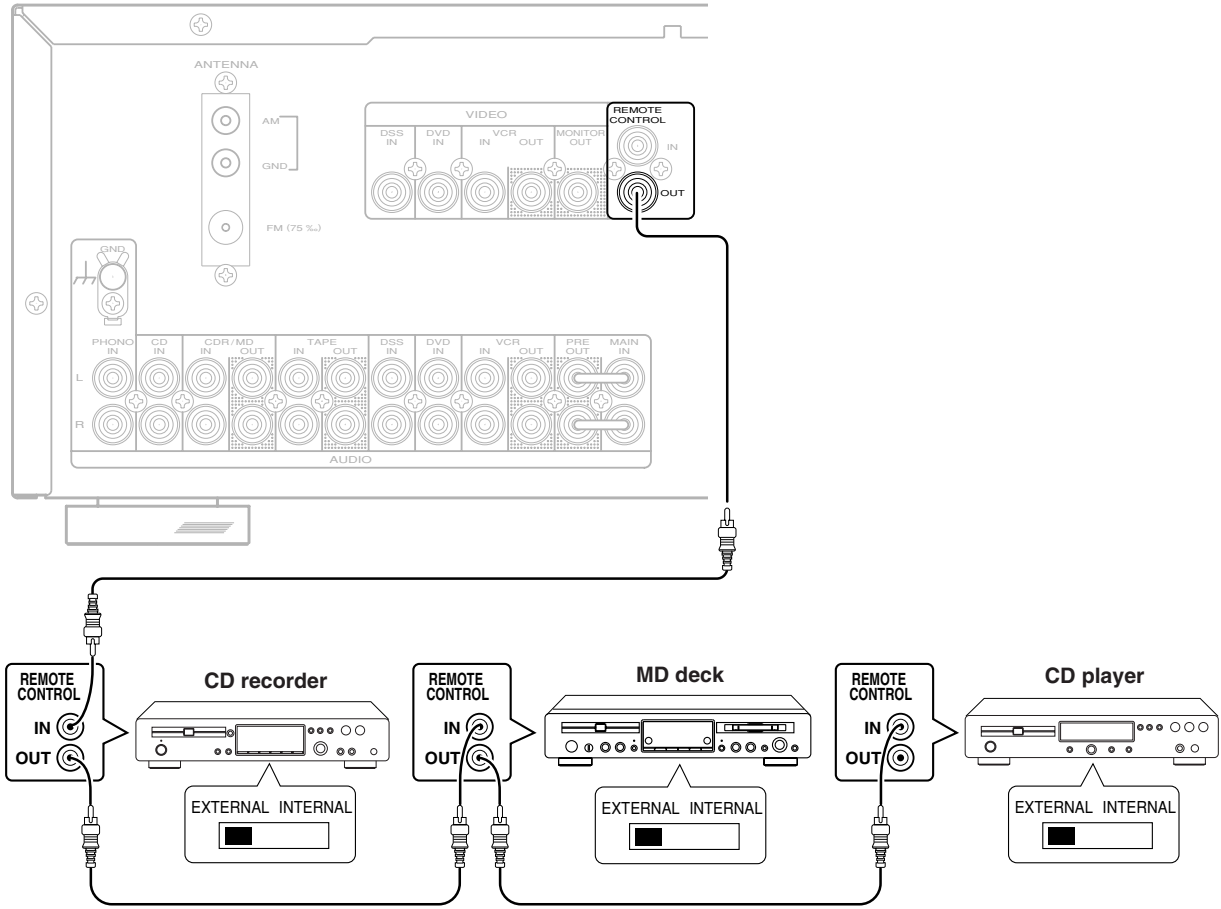


Notes:

- Insert all plugs and connectors securely. Incomplete connections will result in the generation of noise.
- Be sure to connect the left and right channels properly.
Red connectors are used for the R (right) channel, and white connectors are used for L (left) channel.
- Be sure to connect input and output of video signal properly.

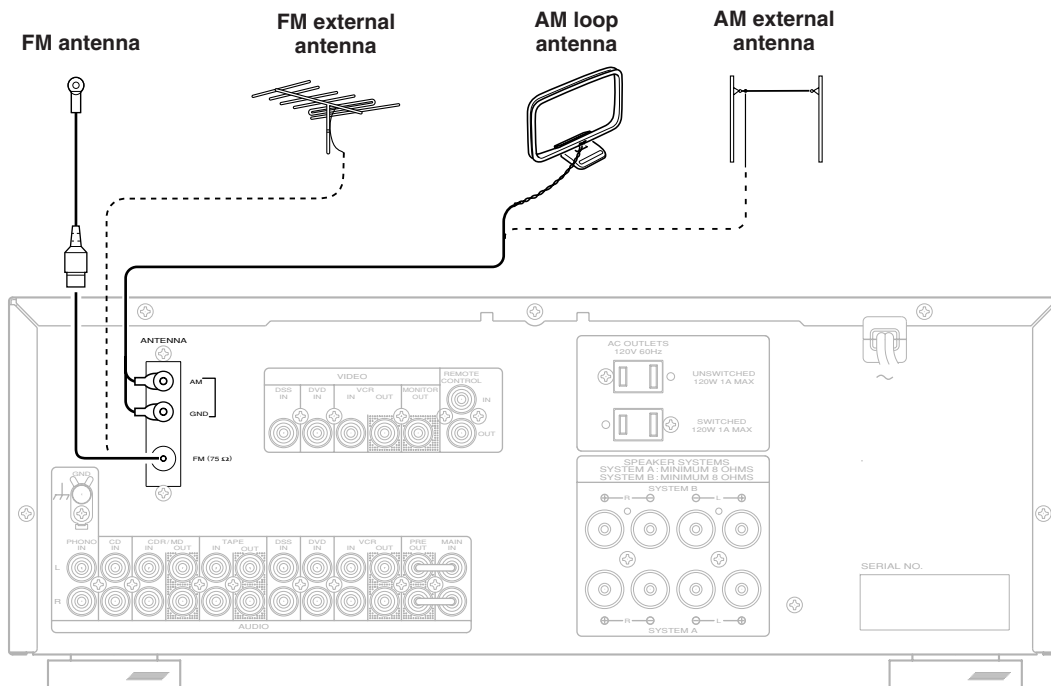
CONNECTING REMOTE CONTROL JACKS

You can control other Marantz products through this unit with the remote control unit by connecting REMOTE CONTROL terminals on each unit. The signal transmitted from the remote control unit is received by the remote sensor on this unit then the signal is sent to the connected device through this terminal. Therefore you need to aim the remote signal only to this unit.



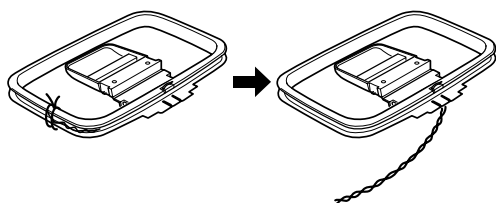
Set the REMOTE CONTROL switch on the units other than this unit to EXT. (EXTERNAL) for this feature.

CONNECTING THE ANTENNA TERMINALS

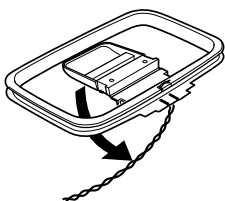


Assembling the AM loop antenna

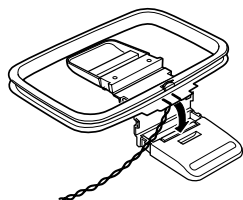
- 1 Release the vinyl tie and take out the connection line.



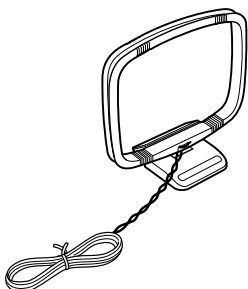
- 2 Bend the base part in the reverse direction.



- 3 Insert the hook at the bottom of the loop part into the slot at the base part.



- 4 Place the antenna on stable surface.



Connecting the supplied antennas

Connecting the supplied FM antenna

The supplied FM antenna is for indoor use only. During use, extend the antenna and move it in various directions until the clearest signal is received. Fix it with push pins or similar implements in the position that will cause the least amount of distortion. If you experience poor reception quality, an external antenna may improve the quality.

Connecting an FM external antenna

Notes:

- Keep the antenna away from noise sources (neon signs, busy roads, etc.).
- Do not put the antenna close to power lines. Keep it well away from power lines, transformers, etc.
- To avoid the risk of lightning and electrical shock, grounding is necessary.

Connecting an AM external antenna

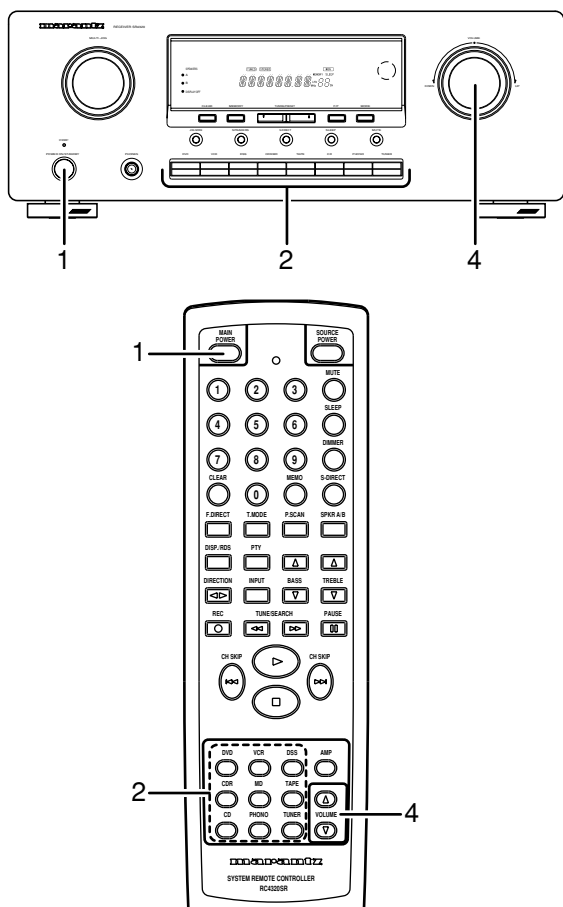
An external antenna will be more effective if it is stretched horizontally above a window or outside.

Notes:

- Do not remove the AM loop antenna.
- To avoid the risk of lightning and electrical shock, grounding is necessary.

OPERATION

NORMAL PLAYBACK



- 1 Press the **POWER** button to turn on the power.
- 2 Press the function select button to select an input source.

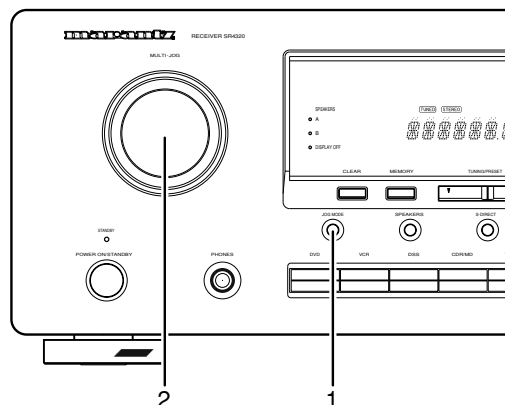
Note:

In case of remote control operation, press one of the function button twice within 2 seconds to select the function.

- 3 Start playback on the source component.
- 4 Adjust the volume level using the Volume control knob on the front panel or pressing the volume buttons on the remote control unit.

BALANCE/TONE CONTROL

If necessary, adjust the balance and tone control as below.



- 1 Press the **JOG MODE** button on the front panel to select your desired control.
Each time the **JOG MODE** button is pressed, the mode changes as BAL (BALANCE) → TRE (TREBLE) → BASS → BAL (BALANCE).
- 2 Turn the **MULTI-JOG** knob to adjust the control.

BALANCE: Turn the knob clockwise to decrease volume of the left channel and turn the knob counter-clockwise to decrease volume of the right channel.

TREBLE: Turning the knob clockwise enhance the high frequency band, while turning counterclockwise attenuates the high frequency band.

BASS: Turning the knob clockwise enhance the low frequency band, while turning counterclockwise attenuates the low frequency band.

You can control the tone (BASS/TREBLE) by remote control unit directly.

TURNING THE SOUND OFF TEMPORARILY (MUTING)

Press the **MUTE** button to turn off the audio output temporarily. You can cancel mute to press **MUTE** button again or press **VOLUME ▲** or **▼** button on the remote control unit. Muting is not released even when the **VOLUME** control knob on the main unit is rotated.

LISTENING WITH HEADPHONES

Connect the headphones with a standard stereo plug to the PHONES jack on the front panel. When you connect headphones, no sound will be heard from the speaker. When the headphones are unplugged, this unit returns to its original listening mode.

LISTENING TO A DIFFERENT AUDIO SOURCE WHILE WATCHING A VIDEO SOURCE

- 1 Select one of the following video sources.
DVD, DSS or **VCR**
- 2 Next, select one of the following audio sources with remote control unit.
TUNER, PHONO, CD, TAPE or **CDR/MD**

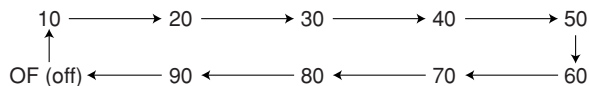
CHANGING THE BRIGHTNESS OF THE FRONT DISPLAY

The display brightness changes in three steps (max, min and off) by pressing the **DIMMER** button on the remote control unit repeatedly. During display off mode, the DISPLAY OFF indicator lights up.

SETTING THE SLEEP TIMER

Set the sleep timer while the power is turned on.

- 1 Turn the power **ON** and press the **SLEEP** button on the remote control unit to enter the sleep timer mode.
- 2 Press the **SLEEP** button the number of times to set the desired sleep time in minutes.
Each press of the **SLEEP** button, changes the display in the following order.



The unit will be in the standby mode in the number of minutes indicated.

- While the sleep timer is activated, the remaining time can be displayed for approximately 2 seconds by pressing the **SLEEP** button.
- To cancel the sleep timer, press **SLEEP** button several times until "SLEEP OF" (SLEEP OFF) appears on the display.

RECORDING OPERATION

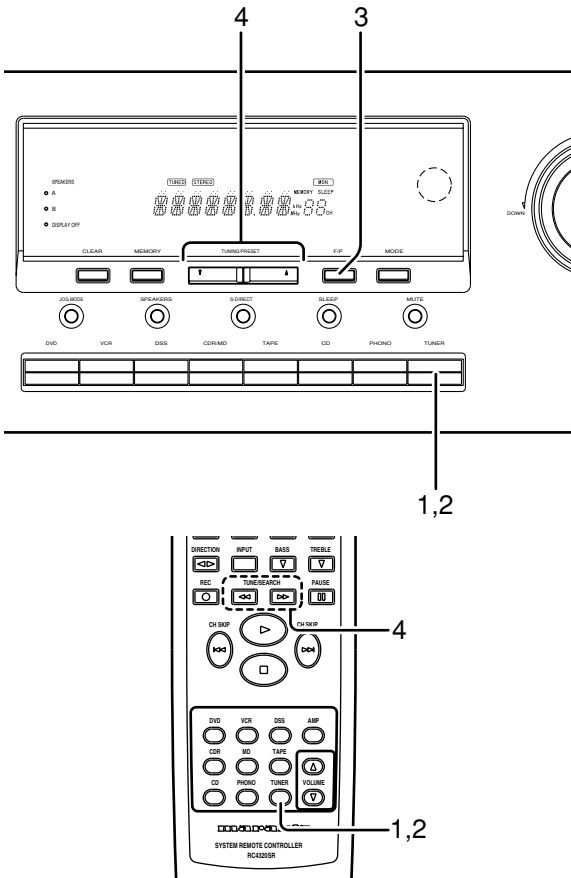
- 1 Press the **POWER** button to turn on the power.
- 2 Press the function select button of the source you want to record from.
- 3 Start playback (or select a broadcast station) on the source component.
- 4 Start recording on the recording component. For instructions, refer to the component's instructions.

Notes:

- When this unit is in the standby mode or turn off, you cannot record between other components connected to this unit.
- The setting of **BALANCE, BASS, TREBLE, VOLUME, MUTE** does not affect the recorded material.
- A given input source does not output on the same OUT channel (For example, the signal input from VCR IN is not output on VCR OUT).
- If you playback a video source that uses scrambled or encoded signals to prevent it from being dubbed, the picture itself may be disturbed due to those signals.

LISTENING TO THE RADIO

MANUAL TUNING



- 1 To select the tuner as the source, press the **TUNER** button on the front panel or the **TUNER** button on the remote control unit.
- 2 Press the **TUNER** button on the front panel or press the **TUNER** button on the remote control unit to select the desired frequency band if required.
- 3 In the preset tuning mode, press the **F/P** button on the front panel to change to the manual tuning mode.
- 4 Press the **TUNING/PRESET ▲** or **▼** button on the front panel or press the **TUNE/SEARCH ◀▶** button on the remote control unit to change the frequency.

When FM has been selected, the current mode is displayed when the **MODE** button on the front panel or the **T.MODE** button on the remote control unit is pressed once, and the screen changes when the same button is pressed again while the current mode is displayed.

When "AUTO" mode is selected, "AUTO" appears on the front display about 2 seconds. FM stations that broadcast in stereo will be received in stereo and the "STEREO" indicator lights up.

If the signal is weak, it may be impossible to tune into the station in stereo. In such a case, press the **MODE** button on the front panel or press the **T.MODE** button on the remote control unit. "MONO" appears on the front display about 2 seconds and the program is received as the monaural mode.

To return to stereo, press the **MODE** button or **T.MODE** button again. Some noise may be heard, but the sound will not cut in and out as it would if stereo was selected.

AUTO TUNING

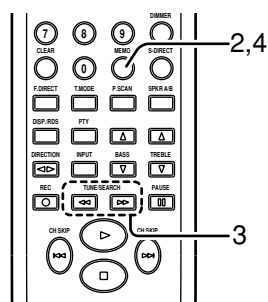
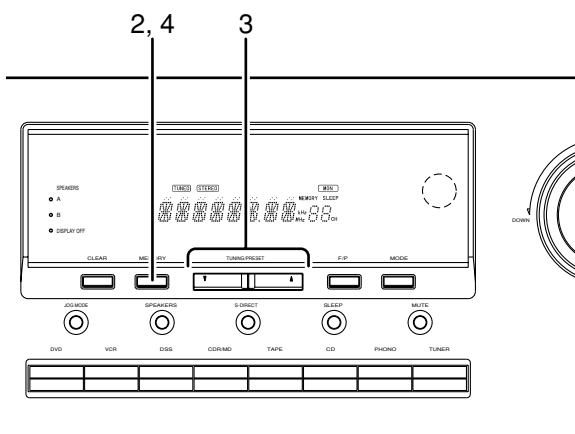
- 1 To select the tuner as the source, press the **TUNER** button on the front panel or the **TUNER** button on the remote control unit.
- 2 Press the **TUNER** button on the front panel or press the **TUNER** button on the remote control unit to select the desired frequency band if required.
- 3 In the preset tuning mode, press the **F/P** button on the front panel to change to the manual tuning mode.
- 4 Press the **TUNING/PRESET ▲** or **▼** button on the front panel or **TUNE/SEARCH ◀▶** button on the remote control unit for more than 1 second to start the Auto tuning function.

FREQUENCY DIRECT CALL

- 1 Press **F.DIRECT** button in the tuner mode on the remote control unit.
- 2 Display shows "F-DIR-IN".
- 3 Input your desired frequency with ten key buttons on the remote control unit.
E.g.) 98.1 MHz: Press 9, 8, 1 and 0
- 4 It displays fixed frequency and broadcast is received.

PRESET TUNING

With this unit you can preset up to 30 FM/AM stations in any order. For each station, you can memorize the frequency and reception mode if desired.



Manual Presetting

- 1 Refer to the "Manual tuning", "Auto tuning" or "Frequency direct call" section (P.14) above to tune in a desired station.
- 2 Press the **MEMORY** button on the front panel or press the **MEMO** button on the remote control unit.
- 3 While "MEMORY" is still blinking (approx. 5 seconds), select the desired preset number by pressing **TUNING/PRESET ▲** or **▼** button on the front panel or **TUNE/SEARCH ◀▶** button on the remote control unit.
- 4 Then, press the **MEMORY** button or **MEMO** button again to store the station in the preset memory. When a number has been properly input, "MEMORY" indicator stops blinking and goes out. The station is now stored in the specified preset memory location.

Notes:

- To preset the station in the preset memory, press the ten key buttons on the remote control unit.
- If a preset number already used is selected, the currently tuned station is stored with the preset number and the formerly stored station with the number is erased without any warning.

Auto Presetting

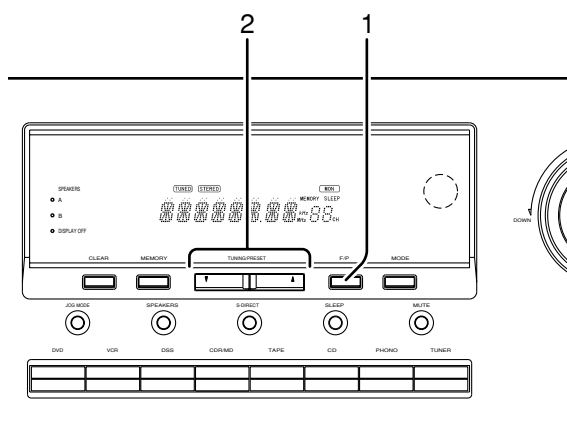
This function automatically scans the AM and FM band and enters all stations with sufficient signal strength into the memory.

- 1 Select the FM band with the **TUNER** button.
- 2 Tune in the lowest receivable frequency.
- 3 Press and hold down the **MEMORY** button and **TUNING/PRESET ▲** button simultaneously, auto presetting will start.
- 4 Each time the tuner finds a station, the scanning will pause and memory.
- 5 Operation stops automatically when all 30 preset memory positions are filled or when auto scanning attains the highest end of all bands. To stop the auto preset function at anytime, press the **CLEAR** button.

Note:

If Auto Presetting is interrupted by pressing the **CLEAR** button, the memory which has already been set is kept still.

Recalling a Preset Station

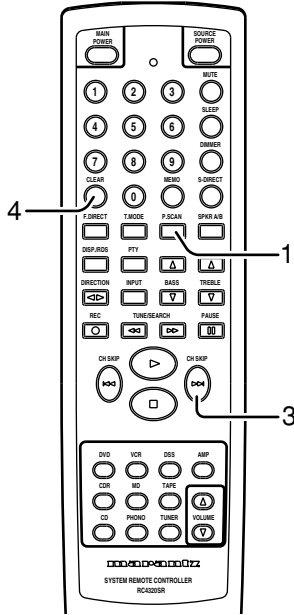


- 1 Press the **F/P** button on the front panel to change the display to preset.
- 2 Select the desired preset station by pressing the **TUNING/PRESET ▲** or **▼** button on the front panel or press the **CH SKIP** button on the remote control unit.

Notes:

- To directly access the preset stations using the ten key buttons on the remote control unit, select the desired preset station by entering one or two digits using the ten key buttons.
- To return to the Manual Tuning mode, press the **F/P** button on the front panel.

Preset Scan Tuning



- 1 Press the **P.SCAN** button on the remote control unit. (The preset station with the smallest preset number is recalled first. If no stations have been preset, CH "00" blinks in the display and the unit returns to the previous mode.)
- 2 Preset stations are recalled in sequence for 5 seconds each. Preset numbers that do not contain stations are skipped.
- 3 You can skip to the next preset station by pressing the **CH SKIP** ►► button on the remote control unit.
- 4 When the desired preset station received, cancel the preset scan operation by pressing the **CH SKIP** ◄◄ button or the **CLEAR** button.

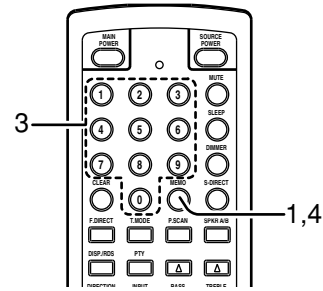
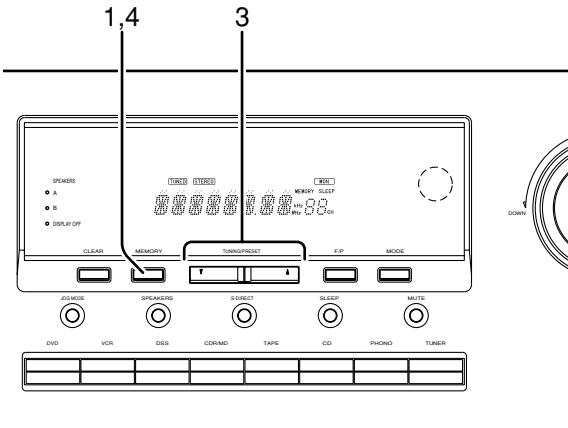
Clearing Preset Stations

You can remove preset stations from memory using the following procedure.

- 1 Recall the preset number to be cleared with the method described in "Recalling a Preset Station".
- 2 Press the **MEMORY** button on the front panel or **MEMO** button on the remote control unit, "MEMORY" blinks in the display for 5 seconds. While "MEMORY" is still blinking, press the **CLEAR** button. "CLEAR" appears on the display to indicate that the specified preset number has been cleared.

Station Name Preset

The station name preset function allows the name of each preset channel to be entered using alphanumeric characters. The Station Name button is valid only in the tuner mode. Before station name preset operation, store stations with the preset memory operation.



- 1 Press the **MEMORY** button on the front panel or **MEMO** button on the remote control unit for more than 3 seconds.
- 2 The left most column of the station name indicator flashes, indicating the character entry ready status.

[Operation (Using the SR4320)]

- 3 When you press the **TUNING/PRESET** ▲ or ▼ buttons, alphabetic and numeric characters will be displayed in the following order:
A → B → C...Z → 1 → 2 → 3...0 → - → + → / → (Blank) → A
 UP →
 ← DOWN
- 4 After selecting the first character to be entered, press the **MEMORY** button to confirm the entry in this column. Move to the next column when it starts to flash. After having filled all of the 8 columns, press the **MEMORY** button for more than 3 seconds to confirm the entry.

[Operation (Using the remote control unit)]

- First, press the **TUNER** button on the remote control unit. (This operation is not necessary if the remote control unit has already been operated in the tuner mode.)
- 3 Enter the character using the ten key buttons. For example, to enter "A":
 - 1) Press the "1" button. "A" appears on the display column.
 - 2) Every time the 1 button is pressed, the displayed character changes in the order: **A → B → C → 1 → A...**
 Pressing buttons other than the "1" button cause different characters to be displayed in a similar way, so that other alphanumeric characters can be entered. To enter a blank or space, press the "9" button.
 - 4 When the desired character is displayed, press the **MEMO** button to confirm the entry in this column and move to the next column. After having filled all of the 8 columns, press the **MEMO** button for more than 3 seconds to confirm the entry.

| Ten key buttons | Press, press again, press again, etc. |
|-----------------|---------------------------------------|
| 1 | A → B → C → 1 → A |
| 2 | D → E → F → 2 → D |
| 3 | G → H → I → 3 → G |
| 4 | J → K → L → 4 → J |
| 5 | M → N → O → 5 → M |
| 6 | P → Q → R → 6 → P |
| 7 | S → T → U → 7 → S |
| 8 | V → W → X → 8 → V |
| 9 | Y → Z → Space → 9 → Y |
| 0 | - → + → / → 0 → - |

TROUBLESHOOTING

In case of trouble, check the following before calling for service:

1. Are the connections made properly?
2. Are you operating the unit properly following user's guide?
3. Are the power amplifiers and speaker working properly?

If the unit does not operate properly, check items shown in the following table.

If your trouble cannot be recovered with the remedy actions listed in the following table, malfunction of the internal circuitry is suspected; immediately unplug the power cable and contact your dealer, nearest Marantz distributor or the Marantz Service Center in your country.

| PROBLEM | POSSIBLE CAUSE | REMEDY |
|--|--|---|
| No power. | <ul style="list-style-type: none"> • The AC input cord is disconnected. • Poor connection at AC wall outlet or the outlet is inactive. | <ul style="list-style-type: none"> • Connect cord securely. • Check the outlet using lamp or other appliance. |
| The sound is shut off | <ul style="list-style-type: none"> • The speaker cables are shorted. | <ul style="list-style-type: none"> • Check the speaker connections. |
| No sound from the speakers | <ul style="list-style-type: none"> • The speaker cables are disconnected. • The master volume adjusted too low. • The mute button is pressed to on. • The speaker switches are not pressed correctly. • Incorrect selections of program source. • Incorrect connections between the components. • The headphones are connected to the headphone jack. | <ul style="list-style-type: none"> • Check the speaker connections. • Adjust the master volume. • Press the MUTE button to cancel. • Press the speaker switch to ON. • Select the desired program source correctly. • Make connections correctly. • Disconnect the headphones. (Speakers will not output any sound when headphones are connected.) |
| Sound is only heard from one of front speakers | <ul style="list-style-type: none"> • The BALANCE control is set to one end. • One of the connection cords is disconnected. | <ul style="list-style-type: none"> • Adjust BALANCE control. • Connect the right and left connection cords securely. |
| The remote control unit does not operate | <ul style="list-style-type: none"> • Batteries are not loaded or exhausted. • The remote sensor is obstructed. | <ul style="list-style-type: none"> • Replace the batteries with new ones. • Remove the obstacle from the remote sensor. |
| Not receiving the station | <ul style="list-style-type: none"> • No antenna is connected. • The desired station frequency is not tuned in. | <ul style="list-style-type: none"> • Connect an antenna. • Tune in the desired station again. |
| Not receiving the preset station | <ul style="list-style-type: none"> • An incorrect station frequency has been memorized. • The memorized stations are cleared. | <ul style="list-style-type: none"> • Memorize the correct station frequency. • Memorize the stations again. |
| FM or AM reception fails | <ul style="list-style-type: none"> • Antenna connection is incomplete. | <ul style="list-style-type: none"> • Correctly connect the indoor FM and AM antennas to FM and AM antenna terminals. |
| Noise is heard during AM reception | <ul style="list-style-type: none"> • Reception is affected by other electrical fields. | <ul style="list-style-type: none"> • Try changing location where the AM indoor antenna is set up. |
| Noise is heard during AM reception | <ul style="list-style-type: none"> • Radio waves from the broadcasting station are weak. | <ul style="list-style-type: none"> • Install an FM external antenna. |

GENERAL MALFUNCTION

If the equipment malfunctions, this may be because an electrostatic discharge or AC line interference has corrupted the information in the equipment memory circuits. Therefore:

- disconnect the plug from the AC line supply
- after waiting at least three minutes, reconnect the plug to the AC line supply
- re-attempt to operate the equipment

Memory backup

- In case a power outage occurs or the power cord is accidentally unplugged, the SR4320 is equipped with a backup function to prevent memory data such as the preset memory from being erased.

The memory functions are backed up for up to about one week.

Note:

First of all keep SR4320 Standby or Powered-on more than 6 hours, to sufficient time for memory hack up.

HOW TO RESET THE UNIT

Should the operation or display seem to be abnormal, reset the unit with the following procedure.

Press the **POWER** button to set SR4320 in standby mode, then press and hold the **F/P** button until SR4320 is turned on. Remember that the procedure will reset the settings of the function selector, tuner preset etc., to their initial settings.

TECHNICAL SPECIFICATIONS

FM Tuner Section

| | |
|-----------------------|--------------------------------|
| Frequency Range | 87.5 – 108.0 MHz |
| Usable Sensitivity | IHF 2.0 μ V/17.3 dB |
| Signal to Noise Ratio | Mono/Stereo 70/65 dB |
| Distortion | Mono/Stereo 0.2/0.3% |
| Stereo Separation | 1 kHz 40 dB |
| A.C.S | \pm 400 kHz 50 dB |
| Image Rejection | 98.1 MHz 70 dB |
| Tuner Output Level | 1 kHz, \pm 75 kHz Dev 500 mV |

AM Tuner Section

| | |
|-----------------------|----------------------|
| Frequency Range | 520 – 1710 kHz |
| Usable Sensitivity | Loop 400 μ V |
| Signal to Noise Ratio | 50 dB |
| Distortion | 1 kHz, 30% Mod. 1.0% |
| Selectivity | \pm 10 kHz 40 dB |

Audio Section

| | |
|-------------------------------|--------------------------------|
| Rated Power | 40 Hz – 20 kHz 8 ohms 80 W/Ch |
| | 40 Hz – 20 kHz 6 ohms 100 W/Ch |
| THD | 40 Hz – 20 kHz 8 ohms 0.08% |
| Input Sensitivity/Impedance | |
| Linear | 200 mV/47 kohms |
| Signal to Noise Ratio (IHF A) | |
| Linear | 95 dB |

Others

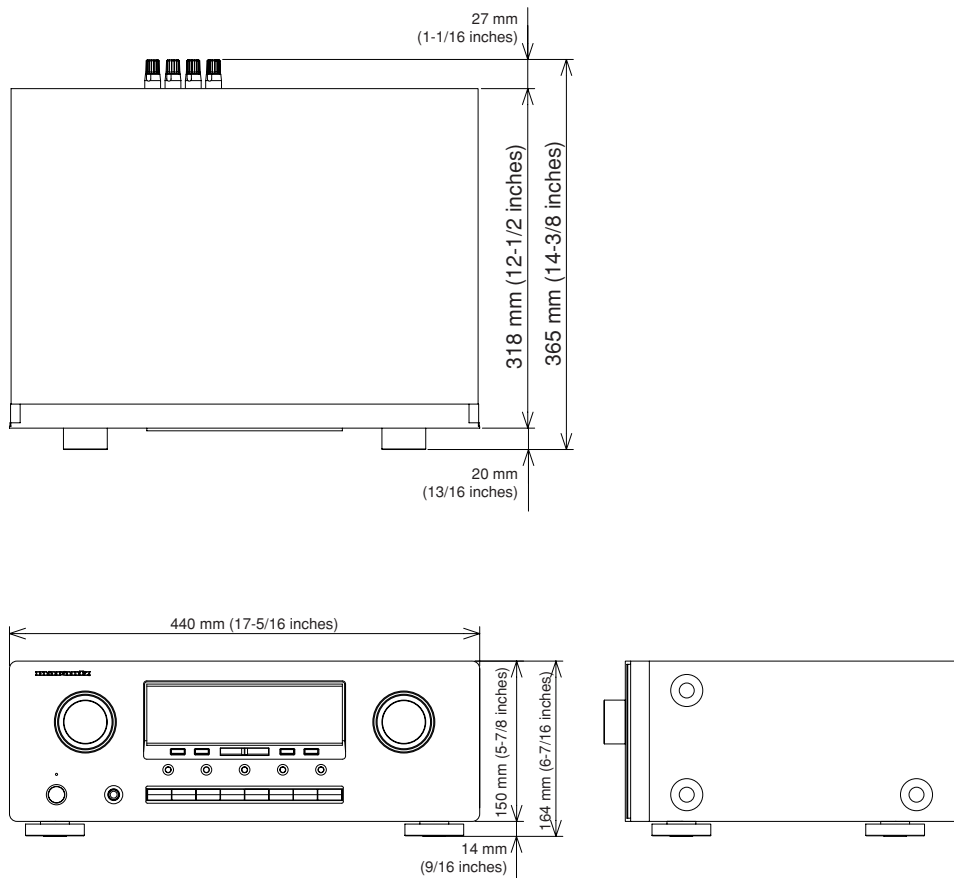
| | |
|-------------------|---------------|
| Power Supply | AC 120V 60 Hz |
| Power Consumption | 2.3 A |

Dimensions (MAX)

| | |
|--------|-------------------------|
| Width | 17-5/16 inches (440 mm) |
| Height | 6-7/16 inches (164 mm) |
| Depth | 14-3/8 inches (365 mm) |
| Weight | 18.5 lbs (8.4 kg) |

Specifications subject to change without prior notice.

DIMENSIONS



| COUNTRY | COMPANY | ADDRESS |
|------------------------|---|--|
| ALGERIE | Azur 2000 | 8, Lotissement Ben Hatadi, Alger, Algerie |
| ARMENIA | NGYIG Ltd. | 47 A/75 St. Lalaianys, 375000 Yerevan, Armenia |
| AUSTRALIA | QualiFi Pty. Ltd., | P.O. Box 350, Mt. Waverley, VIC 3149, Australia |
| AUSTRIA | Huber & Prohaska GmbH | Taborstraße 95 / Ladestraße 1, Gebäude Hangartner, A-1200 Wien, Austria |
| BAHREIN | Ambassador Stores | P.O. Box 237,141, Government Avenue, Manama,Bahrein |
| BANGLADESH | Target | 1078, Ramjoy Mohanja Lane Asadonj, Chittagong 4000, Bangladesh |
| BELGIUM | Van der Heyden Audio N.V. | Brusselbaan 278, 9320 Erembodegem, Belgium |
| BULGARIA | Ariescommerce GmbH | Makedonia Blvd. 16, 1606 Sofia, Bulgaria |
| CANADA | Lenbrook Industries Limited | 633 Granite Court, Pickering, Ontario |
| CHINA | Guang Chang Audio International Co., Ltd. | No.38 Yushan Road, ShiQiao, Pan Yu, Guang Dong, China |
| CYPRUS | Empire Hifi systems Ltd. | P.O. Box 5604, Nicosia, Cyprus |
| CZECH REPUBLIC | Audio International | Sokolska 41, 67902 Rajecsko, OKR,Blansko, Czech Republic |
| DENMARK | Audio Nord | Dali Allé 1, 9610 Noerager, Denmark |
| DUBAI | V.V.& SONS | P.O. Box 105, Dubai, U.A.E. |
| EGYPT | Solimco | 9, El Attibaa St. Doki, Cairo, Egypt |
| ESTONIA | HiFi Club Estonia | Ehte 4, 90503 Haapsalu, Estonia |
| F.Y.R.O.M. | T.P. KODI | ul.Cedomir Kantargiev 21a, Skopje, Former Yugoslavian Republic of Macedonia |
| FINLAND | Audio Nord | Uudenmaankatu 4-6, Helsinki SF-00120, Finland |
| FRANCE | Marantz France | A division of Marantz Europe B.V., P.O. Box 301, 92 156 Suresnes Cedex, France |
| GERMANY | Marantz Deutschland | Hakenbusch 3, 49078 Osnabrück, Germany |
| GREECE | Adamco S.A. | 188, Hippocratous Street, 11471 Athens, Greece |
| HEADQUARTERS EUROPE: | Marantz Europe B.V. | P.O. Box 8744, 5605 LS Eindhoven, The Netherlands |
| HONG KONG | Marantz Hong Kong Ltd. | Unit 1706, Metroplaza II, 223 Hing Fong Road, Kwai Fong, N.T., Kowloon, Hong Kong |
| HUNGARY | Infovox Ltd. | Terez Krt.31, 1067 Budapest, Hungary |
| ICELAND | ID Electronics Ltd. | Armula 38, 108 Reykjavik, Iceland |
| INDIA | NOVA Audio Private | 8,Punam Co-op.Society 29/30 Road#5, Union Park MUMBAI 400052, India |
| IRAN | Home Co. | 5th floor no 878 Philips Building Enghelab ave, P.O. 11365/7844 Tehran, Iran |
| IRELAND | Marantz Ireland | Clonskeagh, Dublin 14, Ireland |
| ISRAEL | Elmor Ltd. | 52 Heh Beiyar Street, Kikar Hamedina, Tel Aviv, Israel |
| ITALY | Marantz Italy | Via Casati 23, 20052 Monza (Milano), Italy, Servizio Consumatori 1678-20026, Numero Verde |
| IVORY COAST | Hifivoir | B.P. 2428, Abidjan 01, Ivory Coast |
| JAPAN | Marantz Japan Inc. | 35-1 Sagami Ohno 7-Chome, Sagamihara-shi, Kanagawa 228-8505, Japan |
| KOREA | MK Enterprises Ltd. | Rm604, Electro-officetel, 16-58. Hangang-ro 3Ga, Yongsan-Ku, Seoul, Korea |
| KUWAIT | alAlamiah Electronics Intl. | P.O. Box 8196, Salmiah 22052, Kuwait |
| LATVIA | Ace Ltd. | 61, LacPlesa Str., Riga LV 1011, Latvia |
| LEBANON | AZ Electronics S.A., 1, | P.O. Box 11 2833, Beirut, Lebanon |
| LITHUANIA | Accapella Ltd. | Ausros, Vartu G/5, Pasazo SKG., 2001 Vilnius, Lithuania |
| MALAYSIA | Wo Kee Hong Electronics Sdn. Bhd. | 2nd Floor Bangnan Infinite Centre, Lot1, Jalan 13/6, 46200 Petaling Jaya, Selangor Datul Ehsan, Malaysia |
| MALTA | Doneo Co Ltd. | 78 The Strand, Sliema SLM07, Malta |
| MAURITIUS | SKR Electronics Ltd. | P.O. Box 685, Bell Village, Port Louis, Mauritius |
| MILITARY MARKET EUROPE | PASCO GmbH | PO BOX 1280, Sandhausen 69200, Germany |
| NEW ZEALAND | Wildash Audio Systems | 14 Malvern Road, Mt. Albert, Auckland, New Zealand |
| NORWAY | Audio Nord | Sandkerveien 64, Oslo 0483, Norway |
| OMAN | Mustafa & Jawad Trading CO. | P.O. Box 1918, Ruwi, Oman |
| POLAND | Philips Polska Sp. z.o.o. | Al.Jerozolimskie 195b, 02 222 Warszawa, Poland |
| PORTUGAL | Corel2 | Comércio de Electrónica Lda., Av. Luís Bivar, No 85 A, 1050 Lisboa, Portugal |
| PROFESSIONAL EUROPE | Marantz Professional Products | Kingsbridge House, Padbury Oaks, 575-583 Bath Road, Longford, Middlesex UB7 0EH, U.K. |
| PROFESSIONAL U.S.A. | Marantz Professional Products | Distributed by: Superscope Technologies Inc., 1000 Corporate Blvd. Ste.D, Aurora, Illinois |
| QATAR | Almana & Partners W.W.L. | P.O. Box 49, Doha, Qatar |
| REUNION | Vision + | 180 Rue du Marechal Leclerc, 97400 Saint Denis, Ile de la Reunion |
| ROMANIA | Nova Music Entertainment | 5, Zagazului Str. Bl.1G,apt.18, sector 1,Bucharest, Romania |
| RUSSIA | Absolute Audio | 7/2, Montazhnaya Street, 107497 Moscow, Russia |
| SAUDI ARABIA | Adawlia Univ. Electr. Apl | P.O. Box 2154, Alkhobar 31952, Saudi Arabia |
| SINGAPORE | Wo Kee Hong Distribution PTE Ltd. | 130 Joo Seng Road, #03-02 Olivine Building, Singapore 368357 |
| SLOVAKIA | Bis Audio s.r.o. | Nam. SNP 10, 96001 Zvolem, Slovakia |
| SLOVENIA | Bofex | Smartinska 152, HALA V/3, 61000 Ljubljana, Slovenia |
| SOUTH AFRICA | Coherent Imports (PTY) Ltd. | P.O. Box 1614, Alberton, 1450, South Africa |
| SPAIN | Marantz Spain | Martinez Villergas 2, Apartado 2065, Madrid 28027, Spain |
| SRI LANKA | The listening Room | Mezzanine Floor, The Landmark 385, Galle Road, Colombo - 3, Sri Lanka |
| SWEDEN | Audio Nord | Almedalsvagen 4, Gotenborg 402-23, Sweden |
| SWITZERLAND | Sound Company AG | Postfach, 8010 Zürich, Switzerland |
| SYRIA | Hamzeh & Partners | Hafez Ibrahim Str. No 117, Damascus Shalan, Syria |
| TAHITI | Covecolor | Av. Prince Hinoi, Cours de l'union sacré, P.O. Box 2334, Papeete, Tahiti |
| TAIWAN | Pai-Yuing Co. Ltd. | 6th No 148 Sung Kiang Road, Taipei 10429, Taiwan R.O.C. |
| THAILAND | MRZ Standard Co. Ltd. | 746-750 Mahachai Road, Wangburapa, Bangkok 10200, Thailand |
| TUNESIA | Societe EDEVIG | 40, Avenue du Golfe Arabe, El Menzah, 1004, Tunesia |
| TURKEY | Türk Philips Ticaret A.S. | Yukari Dudullu Organize sanayi Bolgesi, 2.Cadde no.28, 81260 Umraniye-Istanbul, Turkey |
| U.K. | Marantz Hifi UK Ltd. | Kingsbridge House, Padbury Oaks, 575-583 Bath Road, Longford, Middlesex UB7 0EH, U.K. |
| U.S.A. | Marantz America Inc. | 1100 Maplewood Drive Itasca, IL 60143, U.S.A. |
| YUGOSLAVIA | ITM Company | Omladinskih Brigada 86, 11070 Belgrade, Yugoslavia |

www.marantz.com